

DATA SHEET **2.3M TEMPORARY PEDESTRIAN BARRIER**

Rugged steel barrier for pedestrian delineation

BARRIERS

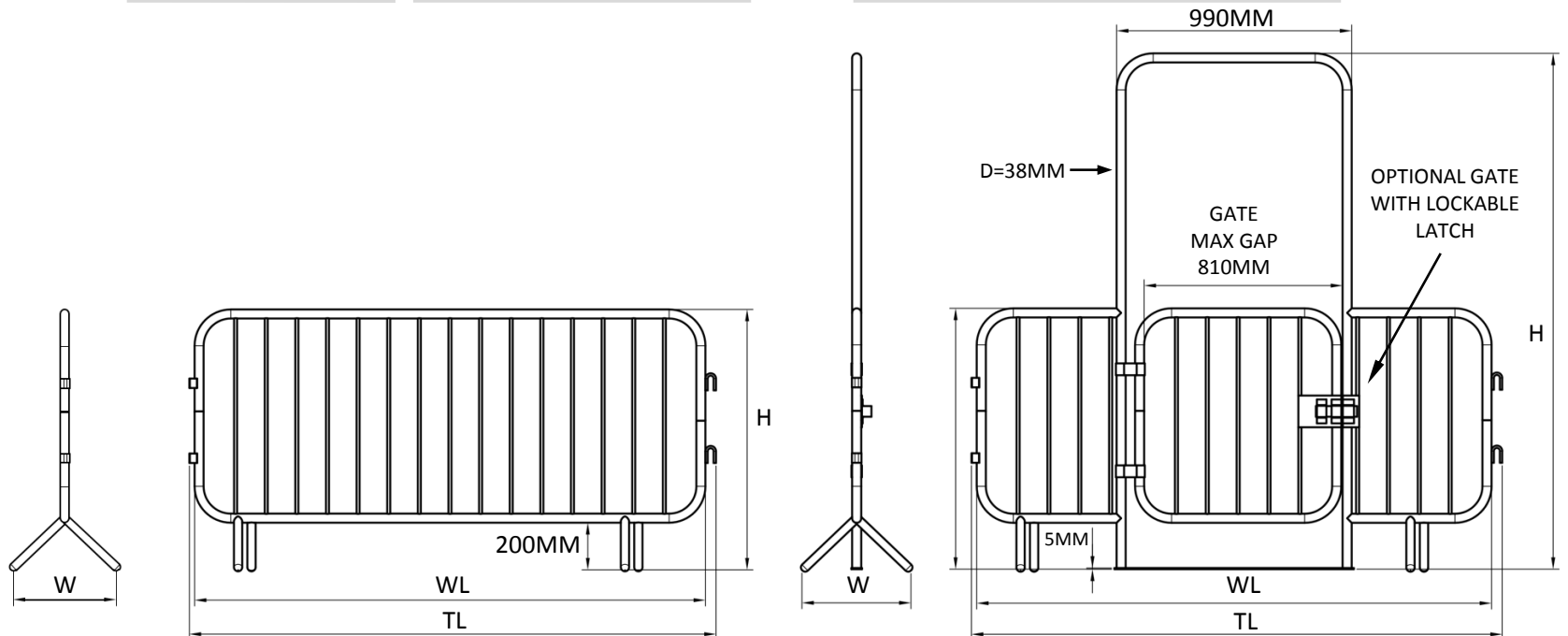
PEDESTRIAN BARRIER

PRODUCT CODE	PBSFF
WL	2257 MM
W	460
TL	2250
H	1100
WEIGHT	11 KG
PER PALLET	20 STRAPPED
PER FULL LOAD	
MATERIAL	STEEL BRIGHT GALV

PEDESTRIAN GATE / WALK THROUGH

PWTBG OR PWB = NO GATE	
WL	2257 MM
W	460
TL	2250
H	2175
WEIGHT	19 KG / 14KG

STEEL BRIGHT GALV



DATA SHEET **2.3M TEMPORARY PEDESTRIAN BARRIER**

Rugged steel barrier for pedestrian delineation

BARRIERS

PEDESTRIAN GATE / WALK THROUGH SPRUNG

PRODUCT CODE	SLWTBWG
WL	2257 MM
W	460
TL	2250
H	2175
WEIGHT	19 KG / 14KG
PER PALLET	
PER FULL LOAD	
MATERIAL	STEEL BRIGHT GALV

